





Communication concerning :

- Approval granted ⁽¹⁾
- ~~Approval extended~~ ⁽¹⁾
- ~~Approval refused~~ ⁽¹⁾
- ~~Approval withdrawn~~ ⁽¹⁾
- ~~Production definitively discontinued~~ ⁽¹⁾

of a type of headlamp, pursuant to Regulation No.113

Approval No : E6-113R-010847 Extension No : - Approval mark :

A 02 RL 00 WCR-DS 01 PL  10
↔
0847

1. Trade name or mark of the vehicle : JUTE
2. Manufacturer's name for the type of vehicle : AL014
3. Manufacturer's name and address : 
4. If applicable, name and address of the manufacturer's representative : Not applicable
5. Submitted for approval on : 10.01.2017 ~ 16.02.2017 ; 23.02.2017 ~ 24.02.2017
6. Technical Service responsible for conducting approval test: Vincotte N.V.
Jan Olieslagerslaan 35
1800 Vilvoorde
Belgium
7. Date of test report issued by that Service : 07.04.2017
8. Number of test report issued by that Service: H1760607082/010

9. Brief description: Passing and Driving beam (see information document)
- Category as described by the relevant marking ⁽²⁾: WCR-DS PL
- Number and category(ies) of filament lamp(s), if any: 1 LED / 1 LED module, 12V , 15W for passing beam
2 LEDs / 1 LED module, 12V , 27W for driving beam
- Number and category(ies) of gas-discharge light source, if any : Not applicable
- Number and specific identification code(s) of LED modules and for each LED module a statement whether it is replaceable or not : 1 LED module MD E6 0847 for passing beam and driving beam
~~Yes~~ / Not replaceable ⁽¹⁾
- Number and specific identification code of electronic light source control gear, if any: Not applicable
- Number and specific identification code(s) of additional lighting unit(s) and for each LED module a statement whether it is replaceable or not, if any : Not applicable
- The determination of "cut-off" sharpness : Yes / ~~No~~ ⁽¹⁾
If yes, it was carried out at : ~~10m~~ / 25m ⁽¹⁾
- Trade name and identification number of separate ballast(s) or part(s) of ballast(s): Not applicable
- The passing beam light source may/~~may not~~ ⁽¹⁾ be lit simultaneously with the driving beam light source and/or another reciprocally incorporated headlamp.
- The minimum bank angle(s) to satisfy the requirement of paragraph 6.2.8.1. if any : Not applicable
- 9.1. Primary driving beam : Yes / ~~No~~ ⁽¹⁾
- Secondary driving beam : ~~Yes~~ / No ⁽¹⁾
- The secondary driving beam shall only be operated together with a passing beam or a primary driving beam.
10. Position of approval mark : On the lamp
11. Reason(s) for extension (if applicable) : Not applicable

12. Approval granted / ~~extended~~ / ~~refused~~ / ~~withdrawn~~ ⁽¹⁾
13. Place : Brussels
14. Date : 07.04.2017
15. Signature :

ON BEHALF OF THE SECRETARY-GENERAL:



R. VERHELST

16. The list of documents deposited with the Type Approval Authority which has granted approval is annexed to this communication and may be obtained on request

(1) Delete where not applicable

(2) Indicate the appropriate marking selected from the list below :

C-AS, C-BS, R-BS, CR-BS, C/-BS, C/R-BS,
C-BS PL, R-BS PL, CR-BS PL, C/-BS PL, C/R-BS PL,
WC-CS, WC-DS, WR-CS WR-DS, WCR-CS, WCR-DS,
WC/-CS, WC/-DS, WC/R-CS, WC/R-DS, WC-CS PL,
WC-DS PL, WR-CS PL, WR-DS PL, WCR-CS PL, WCR-DS PL,
WC/CS PL, WC/-DS PL, WC/R-CS PL, WC/R-DS PL,
WC+CS, WC+DS, WC+R-CS, WC+R-DS, C+BS, C+R-BS,
WC+CS PL, WC+DS PL, WC+R-CS PL, WC+R-DS PL, C+BS PL, C+R-BS PL
WC-ES, WR-ES, WCR-ES, WC/-ES, WC/R-ES, WC-ES PL,
WR-ES PL, WCR-ES PL, WC/-ES PL, WC/R-ES PL
WC+ES, WC+R-ES, WC+ES PL, WC+R-ES PL



Communication concerning :

- Approval granted ⁽¹⁾
- Approval extended ⁽¹⁾
- Approval refused ⁽¹⁾
- Approval withdrawn ⁽¹⁾
- Production definitively discontinued ⁽¹⁾

of a type of device, pursuant to Regulation No.07

Approval No : E6-7R-020847

Extension No : -


Approval mark :

A 02 RL 00 WCR-DS 01 PL



10

↔
0847

1. Trade name or mark of device : JUTE
2. Manufacturer's name for the type of device : AL014
3. Manufacturer's name and address : 
4. If applicable, name and address of the manufacturer's representative : Not applicable
5. Submitted for approval on : 23.02.2017
6. Technical Service responsible for conducting approval test: Vincotte N.V.
Jan Olieslagerslaan 35
1800 Vilvoorde
Belgium
7. Date of test report issued by that Service: 07.04.2017
8. Number of test report issued by that Service : H1760607082/008

9. Concise description : Front Position lamp
- 9.1. By category of lamp : A
- For mounting either outside ~~or inside or both~~ ⁽¹⁾ : Outside
- Colour of light emitted : White ~~/Red~~ ⁽¹⁾
- Number, category and kind of light source(s) : 36 LEDs / 36 light sources
- Voltage and wattage : 12V, 2W
- Light source module specific identification code : Not applicable
- Only for limited mounting height of equal to or less than 750mm above the ground : ~~Yes~~ No ⁽¹⁾
- Geometrical conditions of installation and relating variations, if any : See information document
- 9.2. Function(s) produced by an interdependent lamp forming part of an interdependent lamp system :
- Front position lamp : ~~Yes~~ No ⁽¹⁾
- R1 Rear position lamp : ~~Yes~~ No ⁽¹⁾
- R2 Rear position lamp : ~~Yes~~ No ⁽¹⁾
- S1 Stop lamp : ~~Yes~~ No ⁽¹⁾
- S2 Stop lamp : ~~Yes~~ No ⁽¹⁾
- S3 Stop lamp : ~~Yes~~ No ⁽¹⁾
- S4 Stop lamp : ~~Yes~~ No ⁽¹⁾
- End-outline marker lamp : ~~Yes~~ No ⁽¹⁾
10. Position of approval mark : On the lamp
11. Reason(s) for extension (if applicable) : Not applicable

12. Approval granted / ~~extended~~ / ~~refused~~ / ~~withdrawn~~ ⁽¹⁾
13. Place : Brussels
14. Date : 07.04.2017
15. Signature :

ON BEHALF OF THE SECRETARY-GENERAL:



A handwritten signature in black ink, appearing to read 'R. Verhelst'.

R. VERHELST

16. The list of documents deposited with the Type Approval Authority which has granted approval is annexed to this communication and may be obtained on request.

(1) *Delete where not applicable*





Communication concerning :

- Approval granted ⁽¹⁾
- Approval extended ⁽¹⁾
- Approval refused ⁽¹⁾
- Approval withdrawn ⁽¹⁾
- Production definitively discontinued ⁽¹⁾

of a type of daytime running lamp, pursuant to Regulation No.87

Approval No : E6-87R-000847 Extension No : - Approval mark :

A 02 RL 00 WCR-DS 01 PL  10
↔
0847

1. Trade name or mark of the daytime running lamp : JUTE
2. Manufacturer's name for the type of daytime running lamp : AL014
3. Manufacturer's name and address : 
4. If applicable, name and address of the manufacturer's representative : Not applicable
5. Submitted for approval on : 23.02.2017 ~ 24.02.2017
6. Technical Service responsible for conducting approval test: Vincotte N.V.
Jan Olieslagerslaan 35
1800 Vilvoorde
Belgium
7. Date of test report issued by that Service : 07.04.2017
8. Number of test report issued by that Service: H1760607082/009

9. Concise description : Daytime Running lamp (see information document)
- By category of lamp : RL
- Number, category and kind of light source(s) ⁽²⁾ : 51 LEDs / 51 light sources
- Voltage and wattage : 12V , 10W
- Application of an electronic light source control gear / variable intensity control : Not applicable
- (a) Being part of the lamp : ~~Yes~~/No ⁽¹⁾
- (b) Being not part of the lamp : ~~Yes~~/No ⁽¹⁾
- Input voltage(s) supplied by an electronic light source control gear / variable intensity control : Not applicable
- Electronic light source control gear manufacturer and identification number (when the light source control gear is part of the lamp but is not included into the lamp body) : Not applicable
10. The daytime running lamp is designed as an interdependent lamp system : ~~Yes~~/ No ⁽¹⁾
- The interdependent lamp system consists of 2/3 interdependent lamps. -
11. Position of approval mark : On the lamp
12. Reason(s) for extension (if applicable) : Not applicable

13. Approval granted / ~~extended~~ / ~~refused~~ / ~~withdrawn~~ ⁽¹⁾
14. Place : Brussels
15. Date : 07.04.2017
16. Signature :

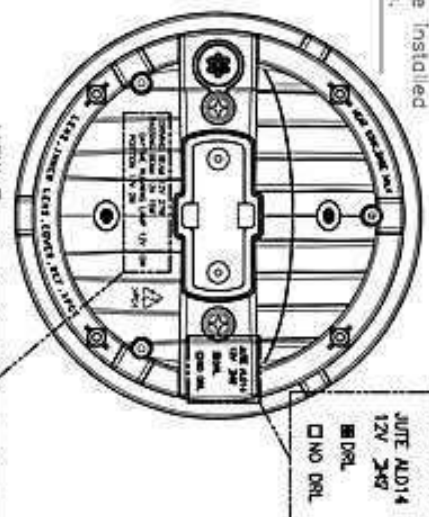
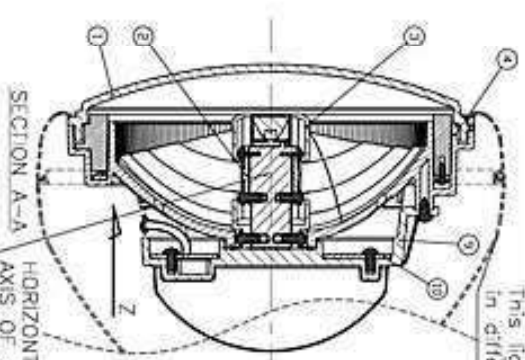
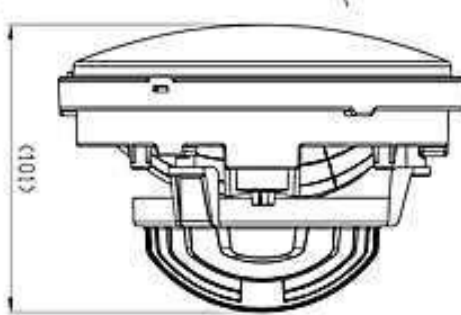
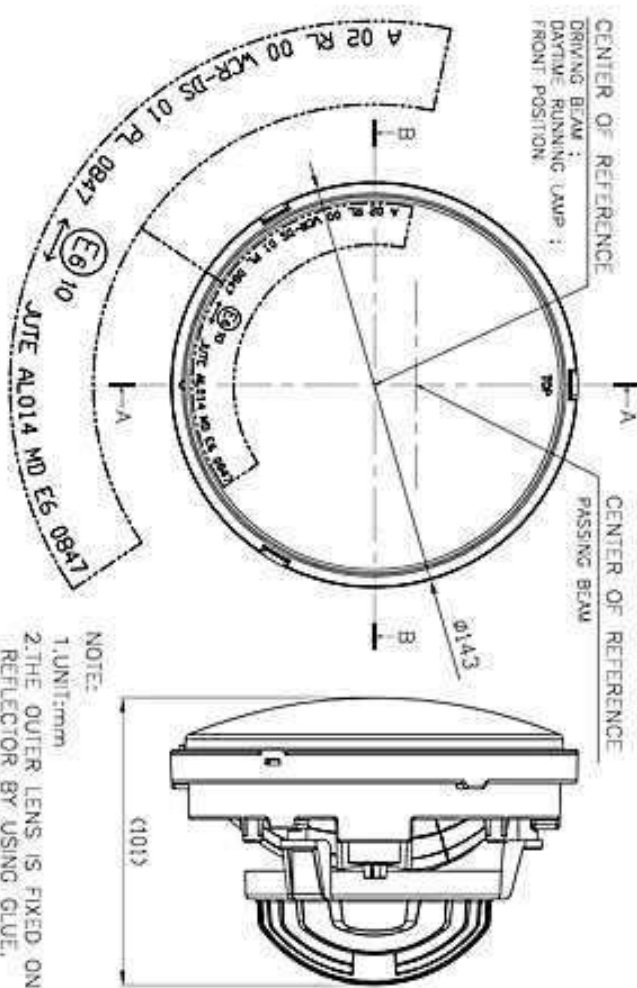
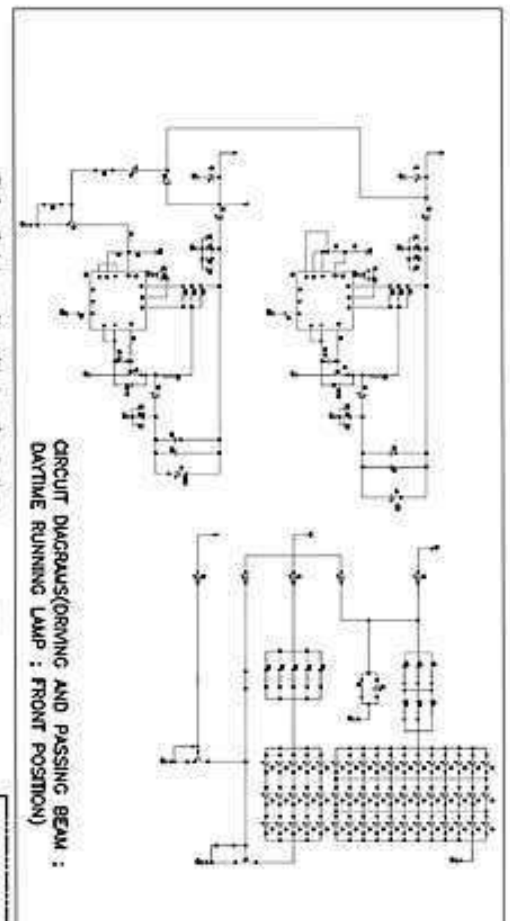
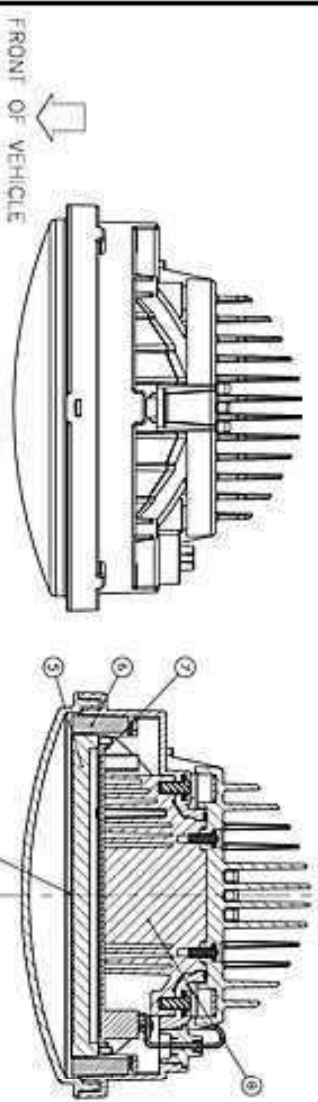
ON BEHALF OF THE SECRETARY-GENERAL:



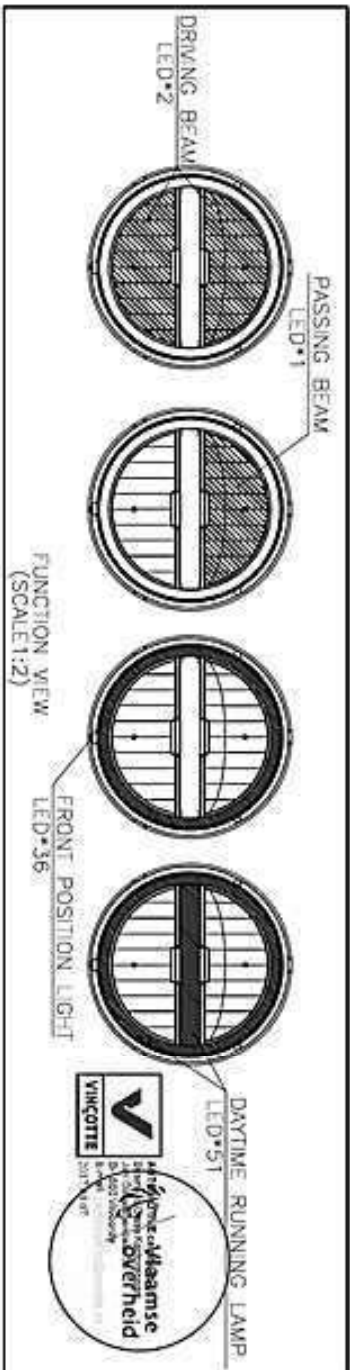
R. VERHELST

17. The following documents, bearing the approval number shown above, are available on request.

- (1) *Delete where not applicable*
- (2) *For daytime running lamps with non-replaceable light sources indicate the number and total wattage of the light sources used.*



NOTE:
1. UNIT:mm
2. THE OUTER LENS IS FIXED ON THE REFLECTOR BY USING GLUE.



NO	DESCRIPTION	QTY	MATERIAL	REMARKS
10	PCB	3	AL	X
9	BASE	1	AL	X
8	HEAT SINK	1	AL	X
7	SAND LED	51	WHITE	X
6	INNER LENS (B)	1	PC	X
5	INNER LENS (A)	1	PC	X
4	REFLECTOR	1	PC	X
3	COVER	2	PC	X
2	HIGH POWER LED	2	PC	X
1	LENS	1	PC	X
	NAME			
	QTY			
	MATERIAL			
	REMARKS			

2017.04.08

HEAD LIGHT ASS'Y (TYPE A)

JUTE AL014 (A1)

ECE